

SMALL MIRACLE*

** 55mm vertical stroke – just 60 mm thick
The new Pick&Place HP70*



THE REVOLUTION IN HANDLING

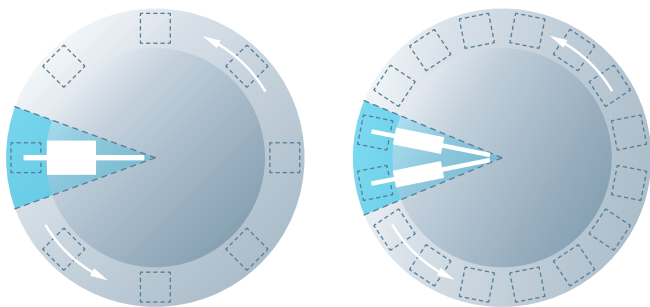
The new direct-drive component from WEISS is thinner than any linear motor or pneumatics module. Yet despite its compact design, it surpasses all previous Pick&Place units when it comes to speed. This turbo start is made possible by a new drive concept.



*Three in series:
the front view of the new HP70*

COMPACT AND DIRECT

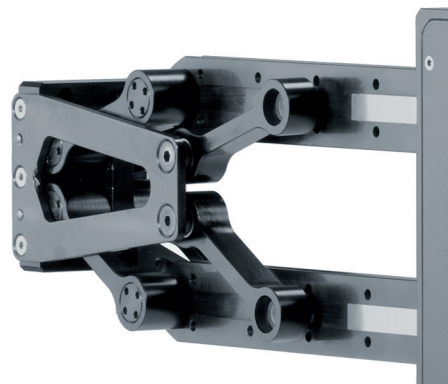
The newcomer HP 70 works with two linear motor axes and therefore offers all the advantages of a direct drive, including dynamic performance, free programmability, very low wear, extreme precision and very compact dimensions. At just 60mm wide, the compact powerhouse eliminates the size advantage previously enjoyed by pneumatic modules with their slimline design. Conventional direct-drive modules cannot compete in this respect anyway – since they are significantly wider.



*On the left: A conventional Pick&Place unit on a rotary indexing table
On the right: An HP70 on a rotary indexing table, boasting twice the number of stations*

COMPACT MEANS FAST

The advantages are clear. The same machining processes are handled in a smaller area. The floor space savings are immense here, as twice the number of work stations can be set up on the exact same rotary indexing table or linear assembly system. At the same time, output enjoys a dramatic boost, as the transport times from one processing station to the next are reduced. In some cases, the optimisation potential can reach almost as much as 50%.



The kinematic connection of the two horizontal axes guarantees a vertical stroke of 55mm

PARALLEL RATHER THAN VERTICAL

When developing the HP70, the engineers at WEISS adopted a completely new approach. Here, two horizontal axes with 125, 225 or 325 mm stroke length are arranged in parallel above one another and then connected via a kinematic unit. This provides the vertical stroke of 55 mm.



Pick&Place HP 70

- *Extremely compact and slimline (60 mm width)*
- *Impressive speed of over 100 cycles/min*
- *Direct drive (dynamic, user-programmable, precise)*
- *No moving cables*
- *Low procurement costs (cost saving of over 10% in comparison with classic modules)*
- *Low operating costs*
- *Virtually maintenance-free*

IMPRESSIVE SPEED WITHOUT ANY MOVING CABLES

Alongside its welcome compactness, this new principle also impresses with its speed. Indeed, it beats all records of previous Pick&Place devices effortlessly, achieving over 100 cycles per minutes with repeat accuracy of 0.01 mm. The design also offers another key advantage: with the obvious exception of the grippers, no moving cables are required either outside or inside the housing.

COST SAVINGS IN EXCESS OF 10%

Particular emphasis was placed on consistent cost optimisation in all phases of the manufacturing process. The result is a cost saving of over 10%, which WEISS passes on directly to its customers. Combined with its low operating costs, the compact powerhouse will therefore pay for itself very quickly.

